

## GBCTS Stainless Steel 316 Tension Catch

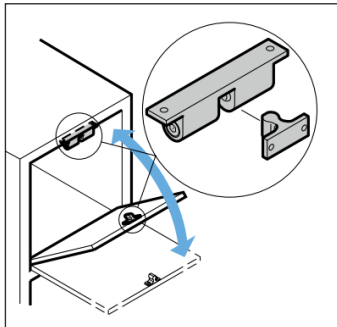
### Features

- Can be installed vertically or horizontally
- Stainless steel 316 construction for high corrosive or cleanroom environments
- Passed 50,000 life cycle test

### Notes

- Catch force is non adjustable, do not turn the slot portion
- Push-in and pulling force may vary depending on application environment

### Application Example

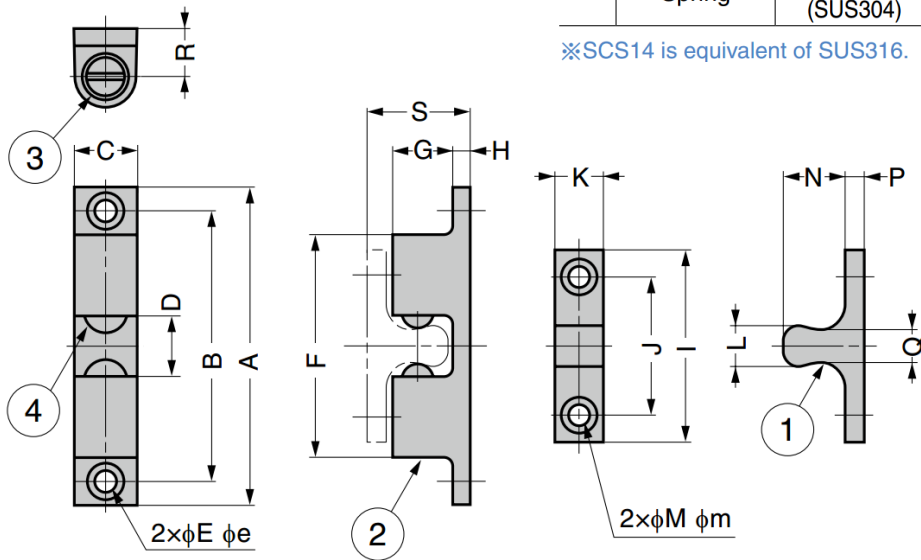


Can also be installed vertically.



No.	Part Name	Material	Finish
①	Counter Plate	Stainless Steel	Barrel Polished
②	Body	(SCS14)	Polished
③	Cover	Stainless Steel	Plain
④	Ball	(SUS316)	Barrel Polished
-	Spring	Stainless Steel (SUS304)	Plain

※SCS14 is equivalent of SUS316.



Part No.	Push-In Force		Pulling Force	
	N	kg	N	kg
GBCTS-40	20 N	2.0 kg	13 N	1.3 kg
GBCTS-50	23 N	2.3 kg	18 N	1.8 kg
GBCTS-70	56 N	5.7 kg	38 N	3.9 kg

Part No.	A	B	C	D	E	e	F	G	H	I	J	K	L	M	m	N	P	Q	R	S
GBCTS-40	43	35	8	5.9	3.2	6.2	28.4	7.5	2.5	25	16	7.5	4.5	3.2	6.2	8.5	2.5	2.7	6	13.5
GBCTS-50	50	40	10	7.5	4.2	8.2	31.5	9.3	2.9	30	20	9	6	4.2	8.2	10.3	2.9	3.8	7.2	16.1
GBCTS-70	70	60	13	13			51	13	4	42	30	10.5	10			15	4	8	10.5	23